



# A50

3U Active Air Cooler

**PRODUCT SPECIFICATIONS**

Spfication Version: 02/23/2023

*(Specifications are subject to change without notice)*

## Model Number: A50

- Recommend for AMD® CPU as following
  - AMD® Ryzen® Threadripper Processor, Socket sWRX, sTRX4, TR4,
  - AMD® Eypc Processor Socket SP3
- Active Air Cooler for 3U Server and Workstation

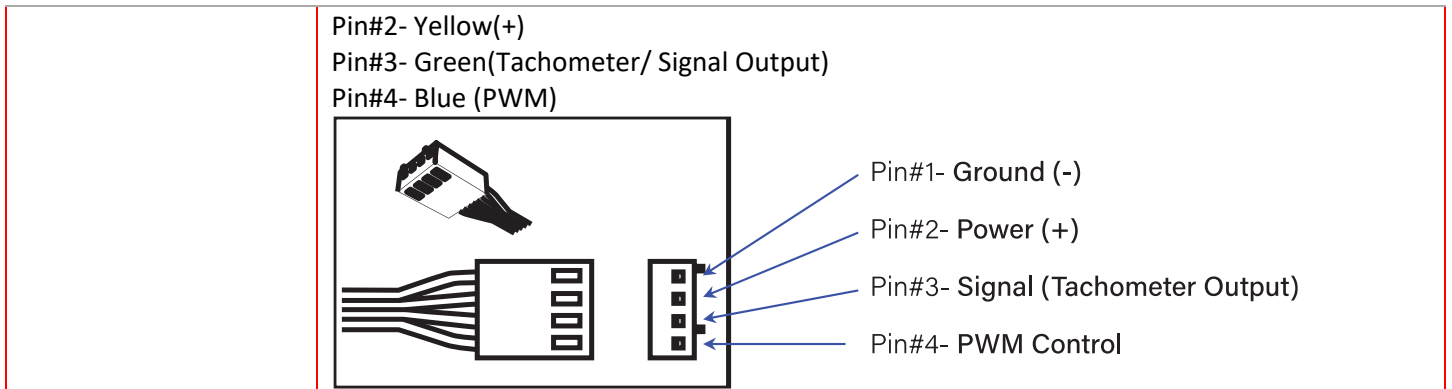
## Overall Specification

Dimension	119 x 82 x 110 mm
Weight	600 g
Material	Aluminum Heatsink with Heatpipe Embedded
Fan	8038 Axial PWM fan for Heat Exhausting
Mounting Method	Convenient Heat Sink Screw Captive Mounting
Thermal Grease	Shin-Etsu 7762 or Equivalent
TDP	280W

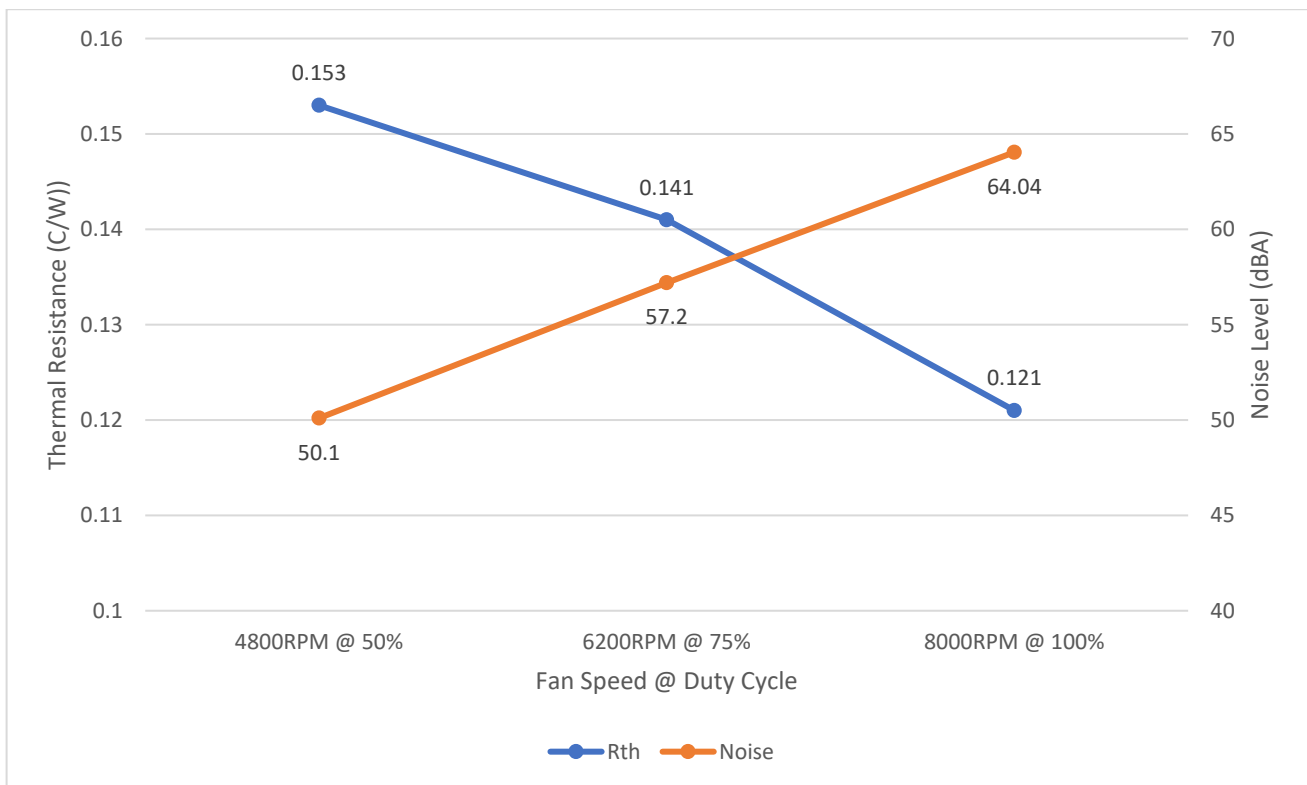
## Cooling Fan Specification

Model Number	DF128038BX-PWVG
Dimension	80 x 80 x 38mm
Bearing	Double Ball
Rated Voltage	DC 12V
Rated Speed	At Duty Cycle 0~20%: 2400± 200 RPM At Duty Cycle 50%: 4800± 10% RPM At Duty Cycle 100%: 8000±10% RPM
Input Power	At Duty Cycle 0~20%: 1.2 W At Duty Cycle 50%: 5.52 W At Duty Cycle 100%: 24.72 W
Maximum Airflow	At Duty Cycle 0~20%: 35.52 CFM At Duty Cycle 50%: 67.24 CFM At Duty Cycle 100%: 115.61 CFM
Rated Static Pressure	At Duty Cycle 0~20%: 3.45 mm-H2O At Duty Cycle 50%: 13.6 mm-H2O At Duty Cycle 100%: 38.3 mm-H2O
Acoustical Noise	At Duty Cycle 0~20%: 25.63 dBA At Duty Cycle 50%: 47.85 dBA At Duty Cycle 100%: 64.40 dBA
Lead Wire Pin Out	Pin#1- Black(-)

## A50| Socket sp3



## Performance Chart: Active Cooler A50 Thermal Resistance Thermal Resistance vs. Fan Speed @ PWM Duty Cycle

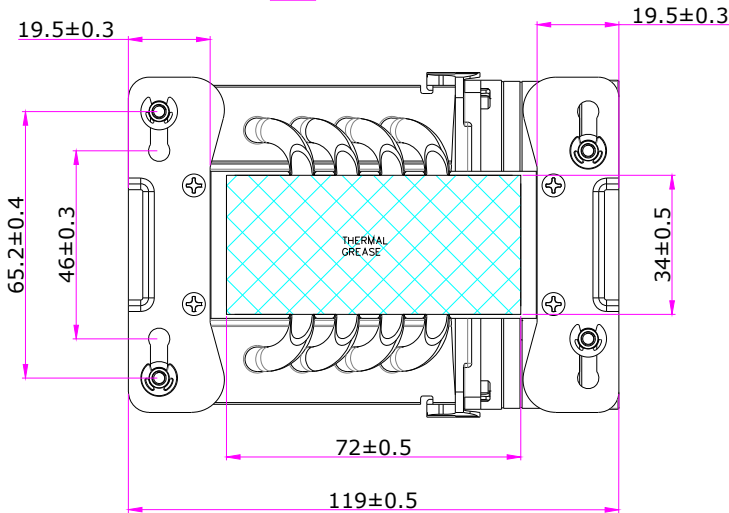
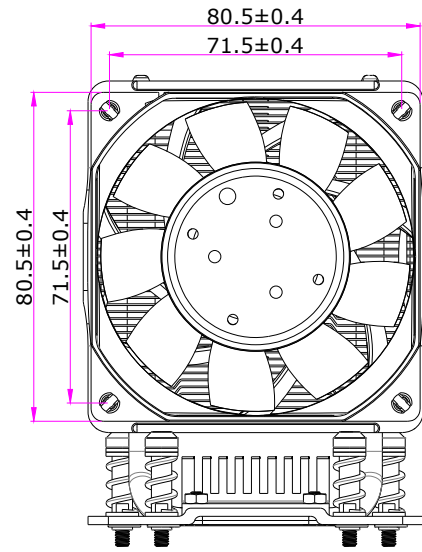
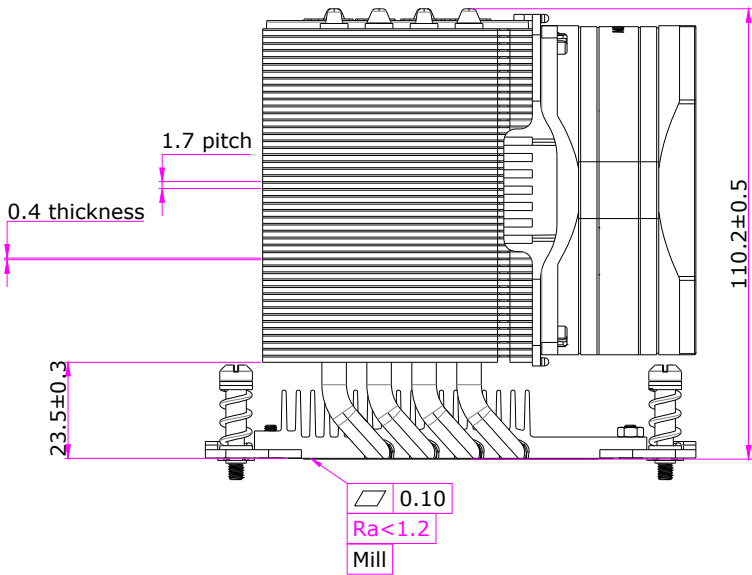
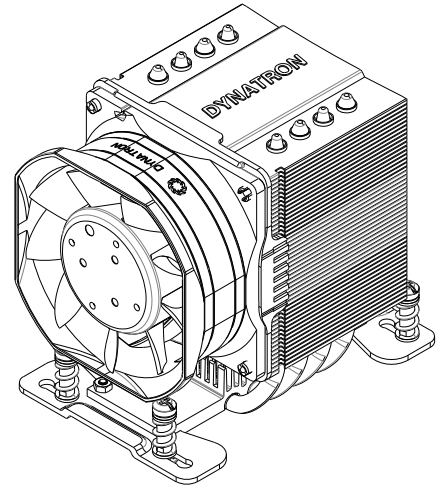
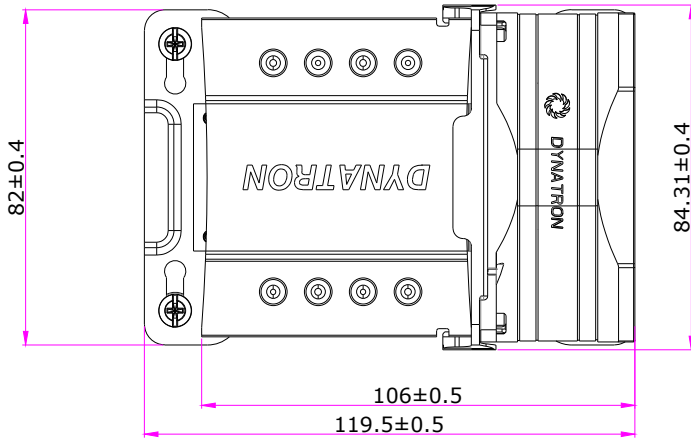


### Publication History:

02/23/2023: Initial Release

*(Specifications are subject to change without notice)*

REV#	DESCRIPTION	CHECKER	DATE
0.0	INITIAL RELEASE	ENGR	02/23/23



	NAME	DATE
DRAWN BY	Jun	02/23/2023
CHECKED BY	Jun	02/23/2023
ENG. APPROVED		
MFG. APPROVED	-	-



**DYNATRON CORPORATION**

TITLE:

3U Air Cooler A50  
Overall Dimension Drawing

**CONFIDENTIAL DOCUMENT**  
THIS DRAWING CONTAINS INFORMATION PROPRIETARY TO DYNATRON CORPORATION AND DYNAEON INDUSTRIAL CO., LTD. ANY REPRODUCTION, DISCLOSURE, OR USE OF THIS DRAWING IS EXPRESSLY PROHIBITED EXCEPT AS DYNATRON CORPORATION AND DYNAEON INDUSTRIAL CO., LTD. MAY OTHERWISE AGREE TO IN WRITING.

VIEW	
UNITS	MM

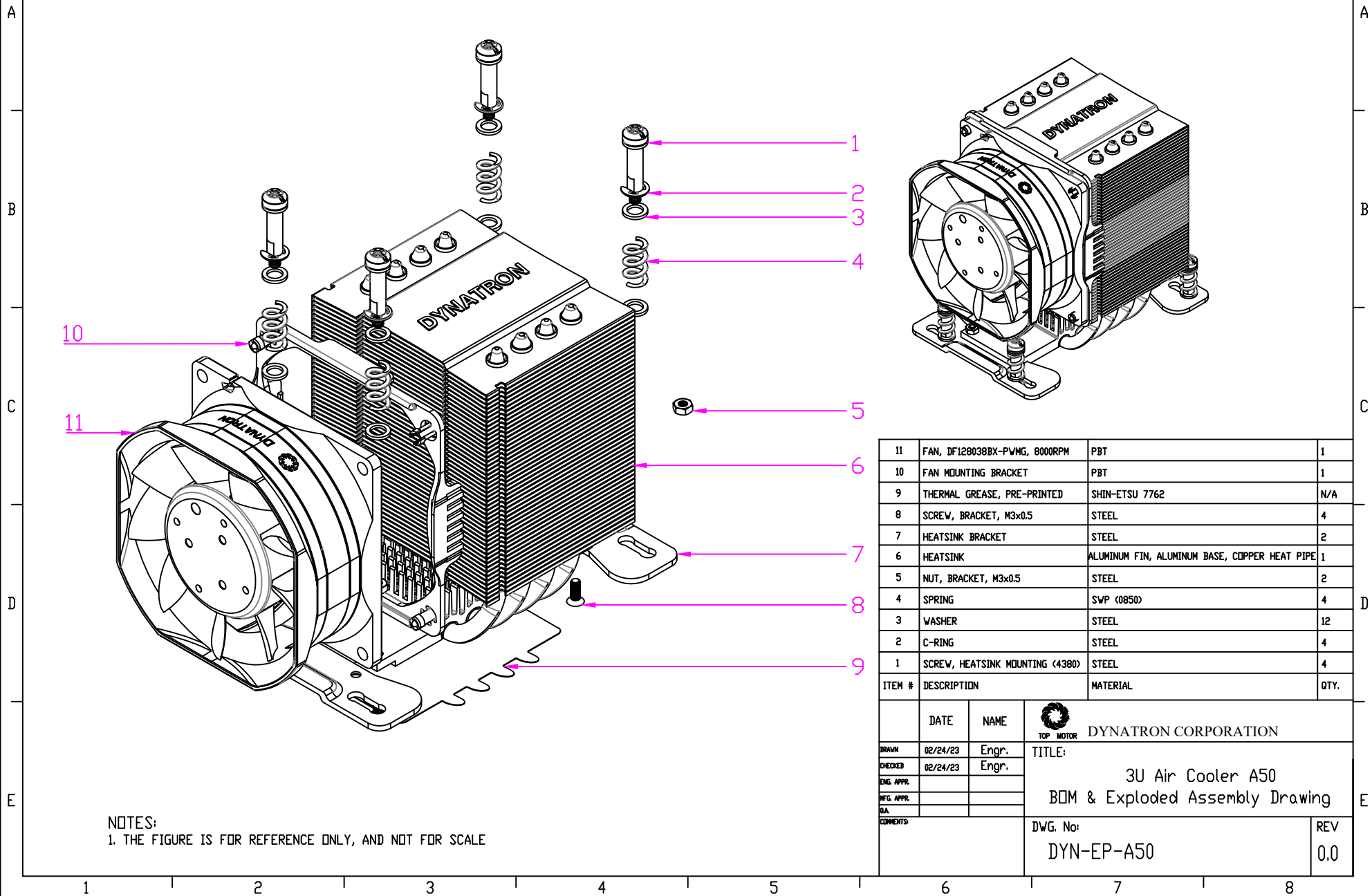
DWG. No:	DYN-BD-A50
----------	------------

REV.	0.0
------	-----

CONFIDENTIAL DOCUMENT

THIS DRAWING CONTAINS INFORMATION PROPRIETARY TO DYNATRON CORPORATION AND DYMEIN INDUSTRIAL CO., LTD. ANY REPRODUCTION, DISCLOSURE, OR USE OF THIS DRAWING IS EXPRESSLY PROHIBITED EXCEPT AS DYNATRON CORPORATION AND DYMEIN INDUSTRIAL CO., LTD. MAY OTHERWISE AGREE TO IN WRITING.

REV#	DESCRIPTION	CHECKER	DATE
0.0	INITIAL RELEASE	Engr.	02/24/23



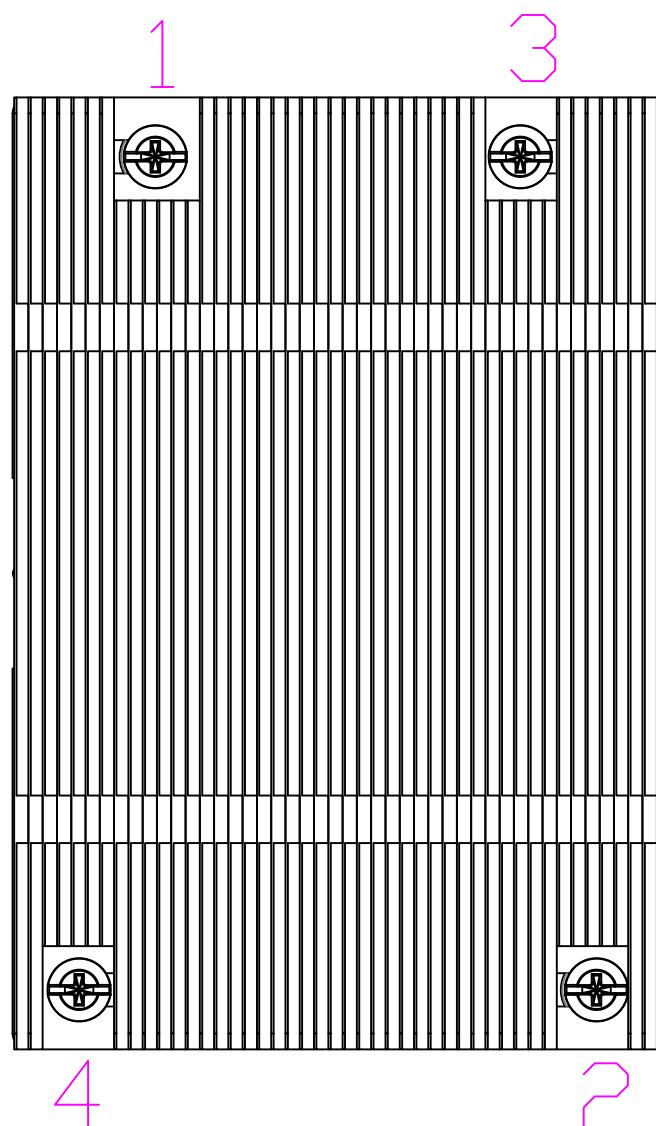
ITEM #	DESCRIPTION	MATERIAL	QTY.
11	FAN, DF128038BX-PWVG, 8000RPM	PBT	1
10	FAN MOUNTING BRACKET	PBT	1
9	THERMAL GREASE, PRE-PRINTED	SHIN-ETSU 7762	N/A
8	SCREW, BRACKET, M3x0.5	STEEL	4
7	HEATSINK BRACKET	STEEL	2
6	HEATSINK	ALUMINUM FIN, ALUMINUM BASE, COPPER HEAT PIPE	1
5	NUT, BRACKET, M3x0.5	STEEL	2
4	SPRING	SWP (0850)	4
3	WASHER	STEEL	12
2	C-RING	STEEL	4
1	SCREW, HEATSINK MOUNTING (4380)	STEEL	4

NOTES:

1. THE FIGURE IS FOR REFERENCE ONLY, AND NOT FOR SCALE

DATE		NAME		
02/24/23		Engr.		
DRAWN		CHECKED		TITLE: 3U Air Cooler A50 BOM & Exploded Assembly Drawing
02/24/23		Engr.		
ENG. APPR.				
MFG. APPR.				
D.A.				DWG. No: DYN-EP-A50
COMMENTS				
				REV 0.0

# SOCKET SP3/TR4/sTRX4/sWRX8 COOLER INSTALLATION INSTRUCTION



HEATSINK ASSEMBLY  
ORDER 1,2,3,4

HEATSINK DISASSEMBLY  
ORDER 4,3,2,1

TORQUE = 6.1 KG -CM MAX

ALL SCREWS SHOULD BE  
TIGHTENED/RELEASED EVENLY, AVOIDING  
TIGHTENING/RELEASING ANY SCREWS TO THE  
BOTTOM/TOP AT ONCE